

RELEASABLE
CHAIN STOPPER

MODEL RCS-48

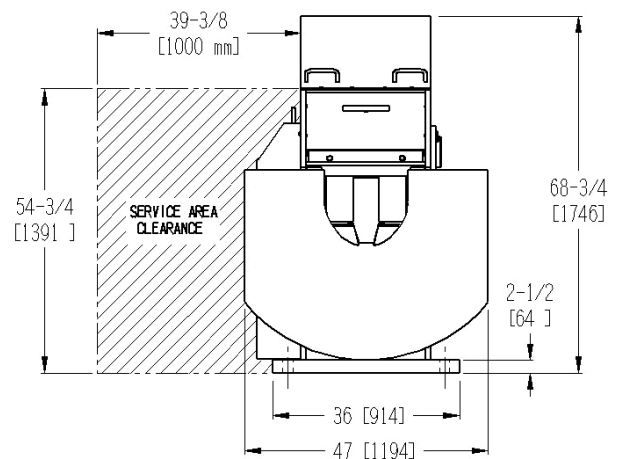
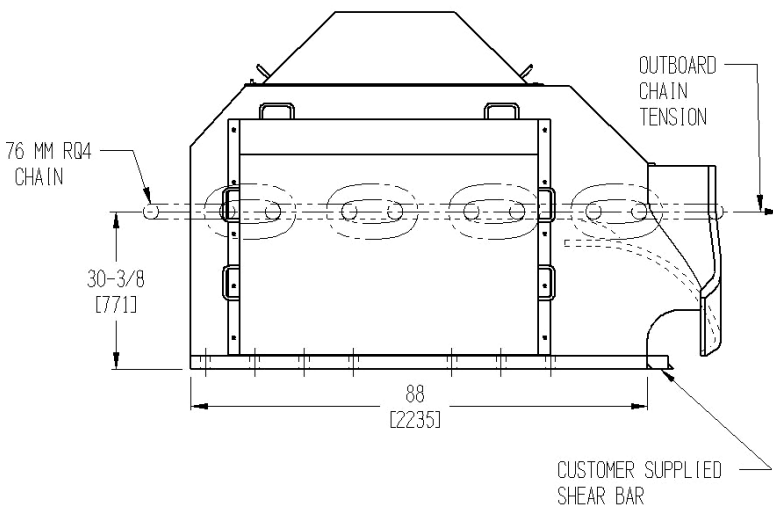
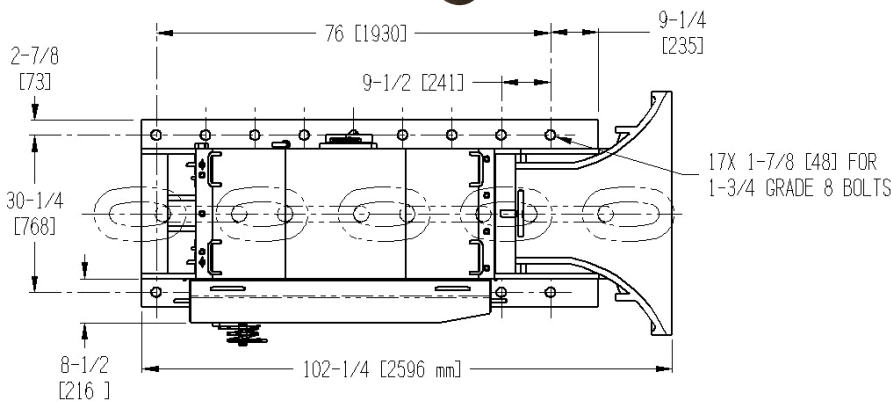


STANDARD FEATURES

- Designed for the Breaking Strength of Ø76 mm RQ4 (3") Chain (6,001 kN). Releasable at Loads up to 4,004 kN
- Grease Lubricated Bronze Bearings
- Remote and / or Local Release
- Epoxy Primer Coating
- ABS Approved for Ø76 mm (3") Chain
- Epoxy Primer Coating

OPTIONAL FEATURES

- Customized Design to Suit Your Application
- Bolt Down Mounting Base
- Load Monitoring System
- Three Coat Marine Paint System



* DIMENSIONS SUBJECT TO CHANGE WITHOUT NOTICE*

WEIGHT: 10,500 LBS

Smith Berger Marine, Inc. - Mooring & Towing Solutions

7915 10th Ave. S., Seattle, WA 98108 USA

Tel. 206.764.4650 - Toll Free 888.726.1688 - Fax 206.764.4653

E-mail: sales@smithberger.com - Web: www.smithberger.com